

Features

- Three heat settings allow you to customize the surface temperature.
- Freestanding design creates a striking focal point in your bathing area.
- Integral lumbar support on both ends.
- 18" (457 mm) depth offers a deep soaking experience.
- Wide deck along one side simplifies installation and provides support for getting in and out of bath.
- Straight shroud.
- Textured bottom surface.
- Center drain.

Material

- Acrylic.

Installation

- Freestanding.

Recommended Products/Accessories

- K-37380 30" Rough-in Cable Bath Drain
- K-24916 Wireless Music Kit
- K-T37391 Rotary-turn bath drain trim
- K-T37392 Rotary-turn bath drain trim
- K-T37393 Rotary-turn bath drain trim
- K-T37394 Rotary-turn bath drain trim
- K-T37395 Bath drain trim
- K-T37396 Push-button bath drain trim
- K-T37397 Push-button bath drain trim
- K-7265 Brass toe tap bath drain
- K-37383 Rough-in cable bath drain, PVC, 30" cable with tubing
- K-37386 rough-in cable drain, PVC, 30" cable
- K-23726 Drain treatment
- K-23732 Tub & shower cleaner



Codes/Standards



None Applicable

KOHLER® Hydrotherapy Components Five-Year Limited Warranty

See website for detailed warranty information.

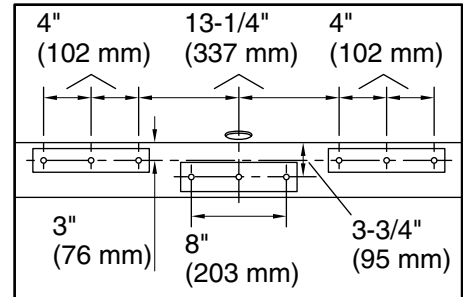
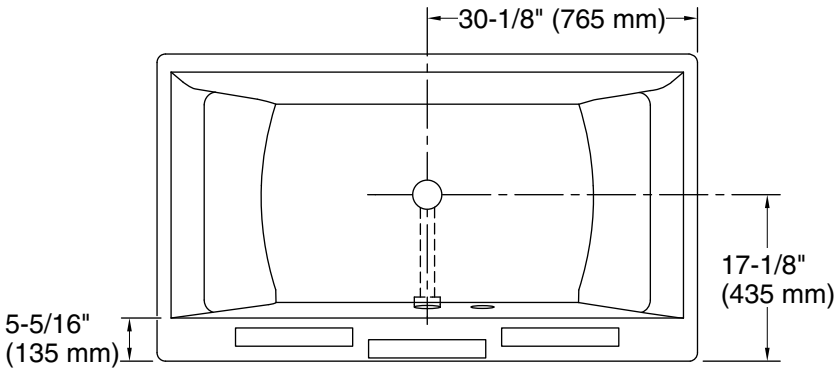
Available Colors/Finishes

Color tiles intended for reference only.

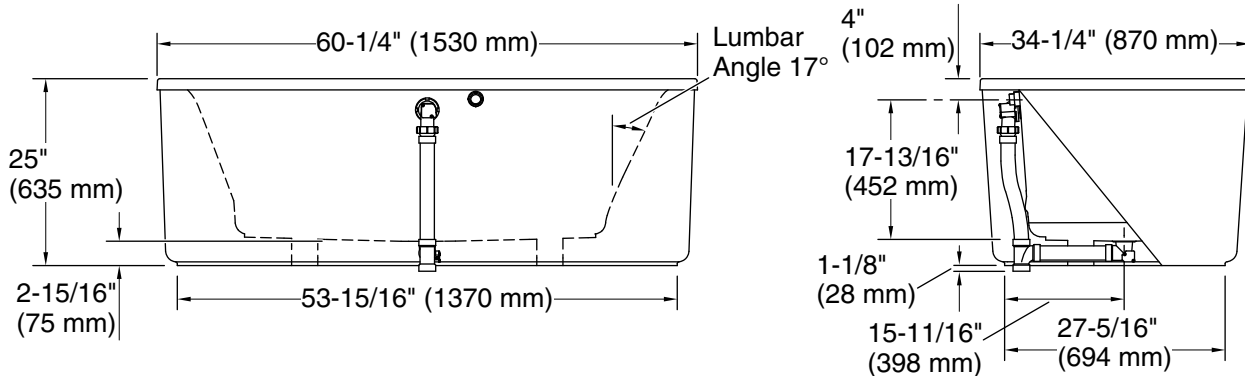
Color	Code	Description
	0	White
	96	Biscuit

No change in measurements if connected with drain illustrated. (K-37386)

□ Recommended Faucet Location



Recommended Faucet Hole Location



Required Electrical Service

One circuit required, protected with Class A Ground-Fault Circuit-Interrupter (GFCI). Outside North America, this device may be known as a Residual Current Device (RCD).

Heated Surface: 120 V, 15 A, 60 Hz

Technical Information

All product dimensions are nominal.

Installation: Freestanding
 Drain location: Center
 Basin area, bottom: 40-5/16" x 22-1/2" (1024 mm x 572 mm)
 Basin area, top: 49-3/8" x 25-7/8" (1254 mm x 657 mm)
 Weight: 156 lbs (70.8 kg)
 Minimum floor load: 54 lbs/ft² (263.7 kg/m²)
 Water depth: 16-1/16" (408 mm)
 Water capacity: 60 gal (227.1 L)
 Template: 1364289, not required, not included
 Electrical component rating: Heated Surface: 120 V, 0.5 A, 50/60 Hz, 65 W

Notes

Measure your actual product for rough-in details.

Install this product according to the installation instructions.

The hot water supply should be 70% of the capacity of the bath or greater. Installations will vary.

If installing a rim-mount faucet, make sure there is no interference above or below the deck before drilling any holes.